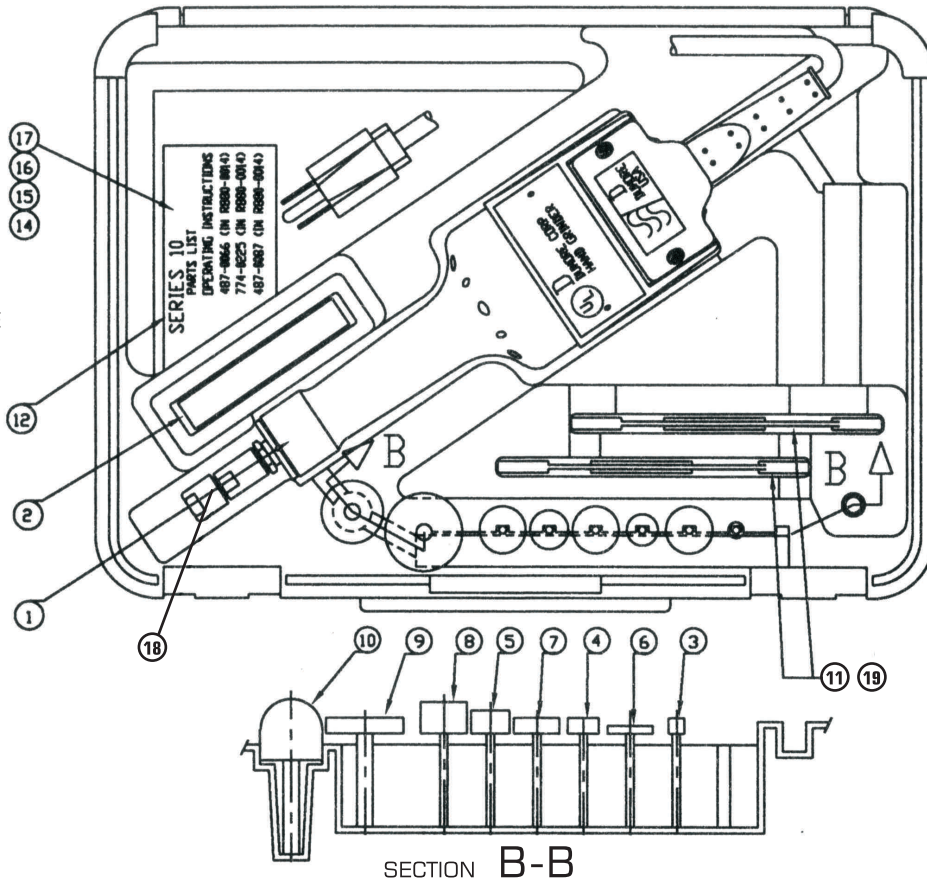


CAT. #10-355 VALUE ADDED HAND GRINDER KIT

ITEMS 17 - 15
 ARE PLACED IN
 ITEM 14. INSIDE CASE



NOTE:
 REPLACEMENT PART NO. FOR CUTTING WHEEL 774-0225

19	788-0085	WRENCH	1
18	487-0067	1/4" CHUCK	1
17	487-0066	1/8" CHUCK	1
16	628-0007	DISC ASSEMBLY	1
15	R880-0014	PLASTIC BAG	1
14	879-0164	CARTON (N.S)	1
13	884-0319	INSTRUCTION SHEET	1
12	RS479-0057	CASE ASSEMBLY	1
11	778-0077	WRENCH	1
10	777-1021	1 X 1 MOUNTED WHEEL	1
9	777-1225	1-1/4 X 1/4 MOUNTED WHEEL	1
8	777-1203	3/4 X 1/2 MOUNTED WHEEL	1
7	777-1201	3/4 X 1/4 MOUNTED WHEEL	1
6	777-1200	3/4 X 1/8 MOUNTED WHEEL	1
5	777-1193	5/8 X 3/8 MOUNTED WHEEL	1
4	777-1183	1/2 X 1/4 MOUNTED WHEEL	1
3	777-1160	1/4 X 1/4 MOUNTED WHEEL	1
2	R533-0002	DRESSING STONE	1
1	8572-210	SERIES 10 HAND GRINDER	1
IT.	PART NO.	DESCRIPTION	QTY.